

BRISA

Retractable Screen Door

Screen Replacement Instructions

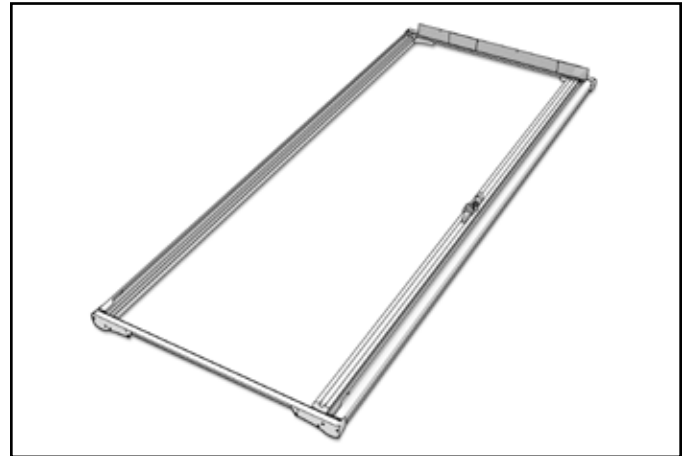
Assembly process

These instructions outline the step-by-step process to install a replacement screen for retractable screen doors. Before starting, review all instructions and become familiar with them.



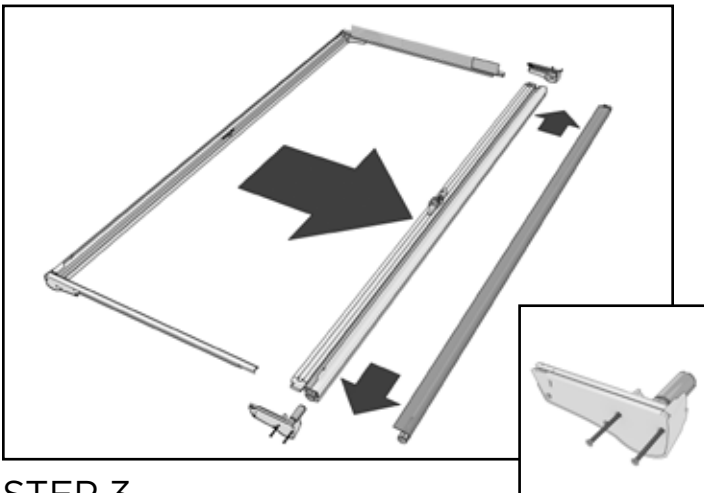
STEP 1

Remove the existing unit from door frame. **To prevent the retractable screen from falling, leave one of the top screws in place until you are ready to remove the unit.**



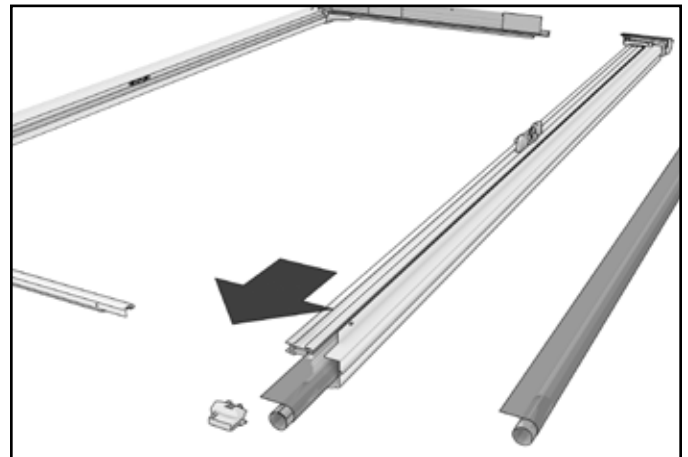
STEP 2

Lay the unit down flat on a clean surface.



STEP 3

Release the tracks and remove the screen housing end caps (2 long outside screws only). Keep parts and new screen in same position after removal to ensure proper placement. **Screen may make noise when tension is released.**



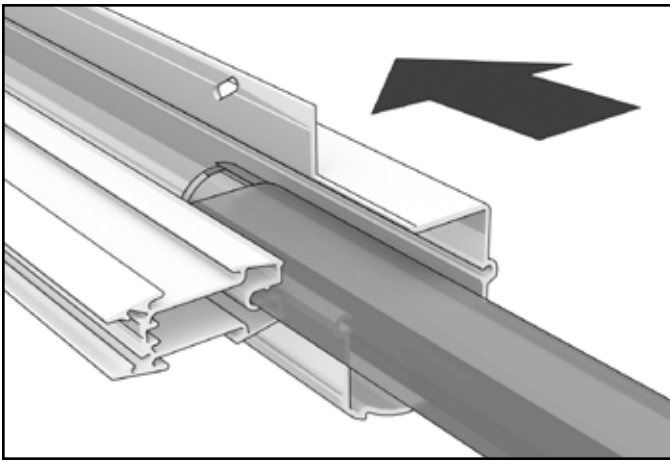
STEP 4

Take off the slider bar end caps and remove the old screen from the housing unit. Some models may have a screw inserted into the slider bar end cap that will require removal.



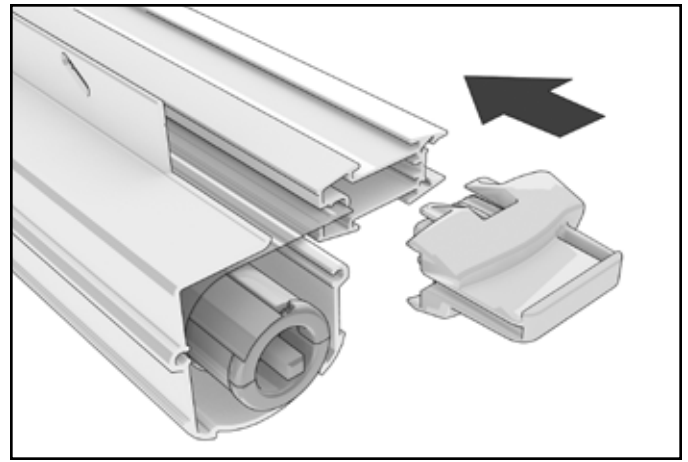
Building Value
Into Building Products®

215 East Roosevelt Ave., Zeeland, MI 49464
866.635.4968 www.odl.com



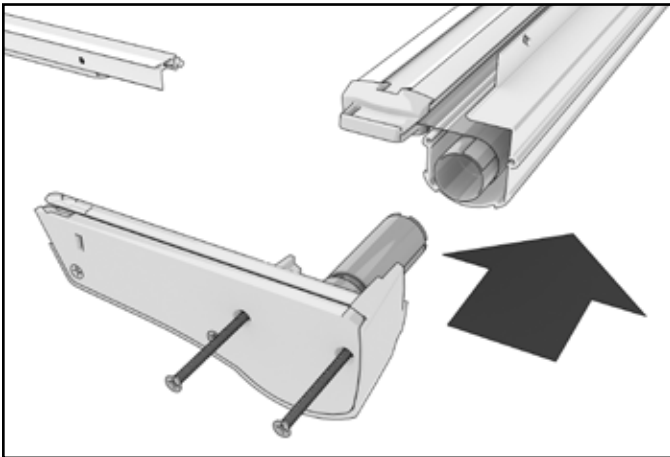
STEP 5

Insert the new screen, making sure to thread the screen spline through the housing and slider bar channels. **Use caution when inserting so that the screen doesn't catch on metal edges.**



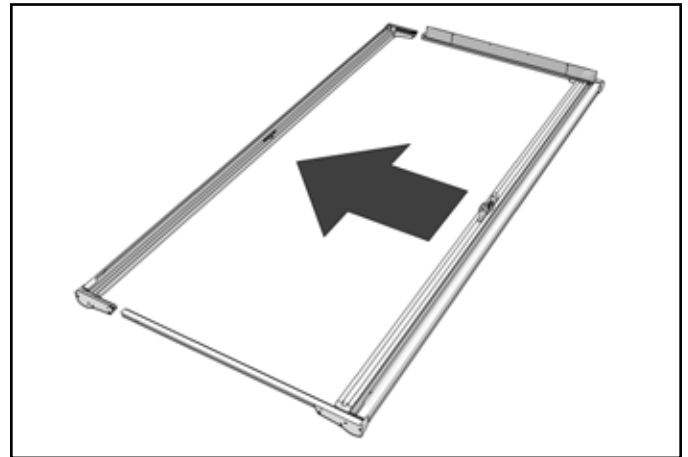
STEP 6

Reattach the slider bar end caps. Re-insert the screw if one was removed.



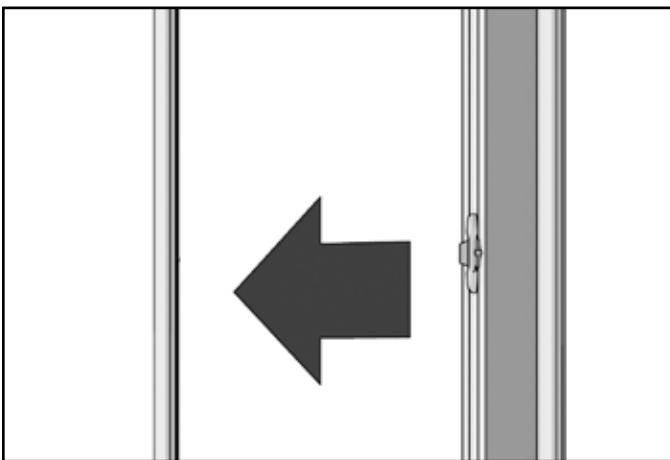
STEP 7

Reattach both screen housing end caps starting with the side with the long black tube. Align black tube with ridges inside the screen. **Make sure slider bar is inside the end caps before attaching.**



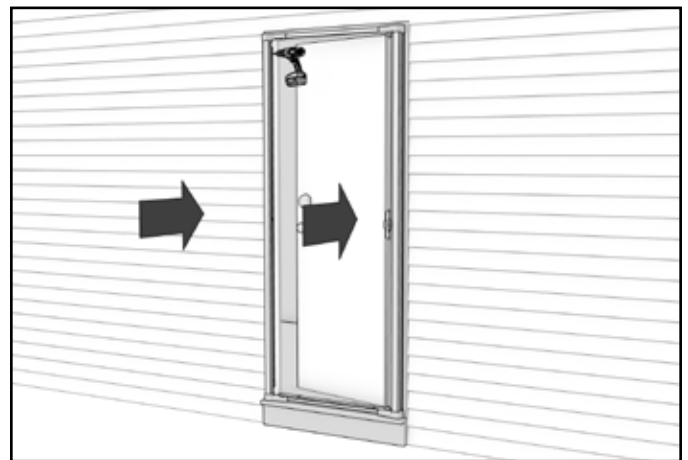
STEP 8

Reattach the tracks and snap into place.



STEP 9

Check to ensure that the screen is operating properly before installing onto the door frame. **You may hear a "pop" when the screen releases.**



STEP 10

Place the unit onto the door frame and reinstall all the screws. Make sure the latch and latch hook are aligned properly and adjust as needed with a hand screwdriver.